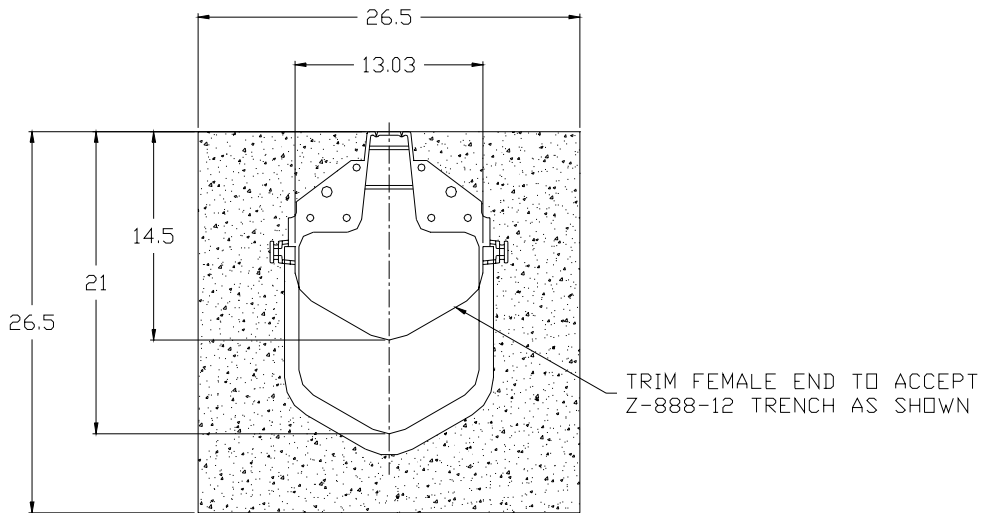
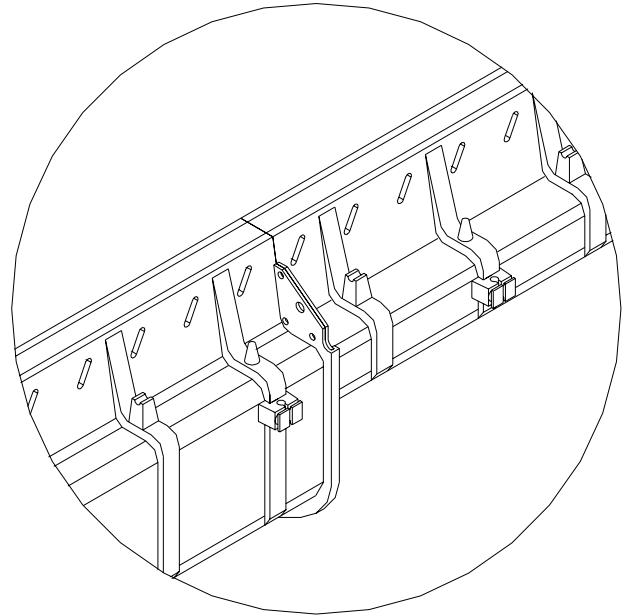
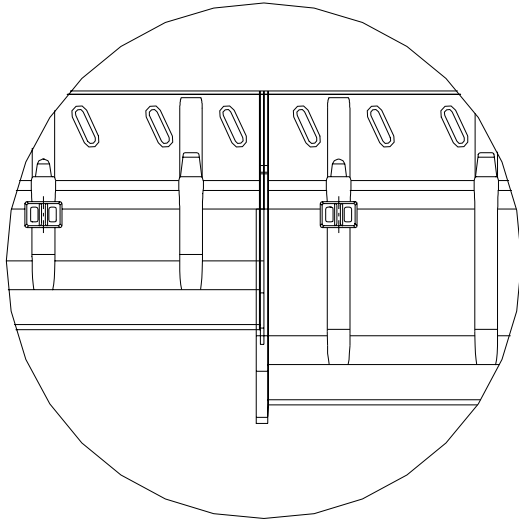




Z-888-T 12/18
HI-CAP SLOTTED DRAINAGE SYSTEM
TRANSITION PIECE



ENGINEERING SPECIFICATION

Zurn Z-888-T 12/18 The Transition piece is made of polyethylene and facilitates the attachment of the Z-888-12 channel to the Z-888-18 channel without any fabrications.

Supplied By:



877-903-7246

www.trenchdrainsupply.com

*Regularly Furnished Unless Otherwise Specified

REV.	DATE: 11/27/01	C.N. NO. 88030
DWG. NO. 62259	PRODUCT NO. Z-888-T 12/18	

ZURN INDUSTRIES, INC., FLO-THRU DIV., 2855 Girts Road, Jamestown, NY 14701

Phone: 716/665-1132, Fax: 716/665-1135, World Wide Web: www.zurn.com

In Canada: ZURN INDUSTRIES LIMITED, 3544 Nashua Drive, Mississauga, Ontario L4V1L2, Phone: 905/405-8272 Fax: 905/405-1292

In UK: Zurn Industries Ltd, Riverside Rd, Pottington Business Park, Barnstaple, Devon EX31 1QN, Phone 01271-340350 Fax 01271-344660